

# KERR

## PUMPS

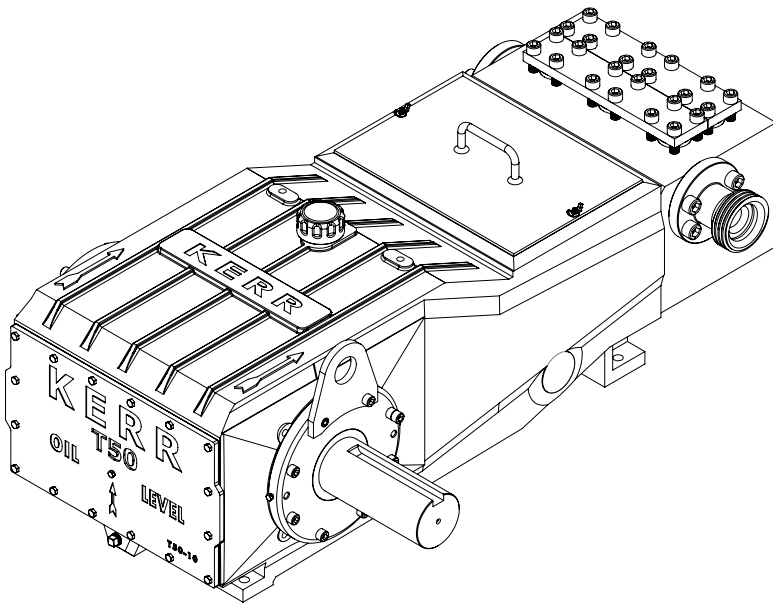
### T50H

146 BHP Triplex Plunger Pump

Continuous Duty

### SPECIFICATIONS

Configuration	Horizontal Triplex Plunger
Number of Plungers	3
Stroke Length	5.000" / 127 mm
Frame Load Rating	9,880 lbs
Fluid Cylinder Pressure Rating	15,000 PSI
Pump Weight (Avg.)	1900 lbs / 864 kilos
Kerr Max Speed	350 RPM
API 674 Max Speed	310 RPM
Minimum Speed	100 RPM
Mechanical Efficiency (Bare Shaft)	90%
Lube System (Standard)	Splash- Gravity Feed
Lube System (Optional)	Force Feed
Lube Oil Capacity	44 quarts / 41.6 liters
Lube Oil Type	Petroleum per AGMA 5EP (ISO 220) or Synthetic per SAE 75W-90 (ISO 100)
Connection Sizes	1 1/2" NPT Suction 1" 1502 Half Union Discharge



### FLUID END

Forged Carbon Steel (A105)
Forged Stainless Steel (316)
Other materials available on request

### PLUNGERS

Colmonoy 730 Hard Coat
Solid Ceramic (2,160 Max. PSI)
Kerramic (Ceramic) Coated
Solid 316 Stainless Steel

### VALVES

BALL VALVE / SEAT MATERIAL	
Stanalloy / Stanalloy (440 SS)	
Sheralloy / Sheralloy (Cobalt Base)	

\* Consult Factory for Authorized Drawings for Dimensions

1) Displacement is based on 100% Volumetric Efficiency (VE)

2) Consult factory for operating speeds above maximum shown

3) 1 US gallon = 3.78541 liters

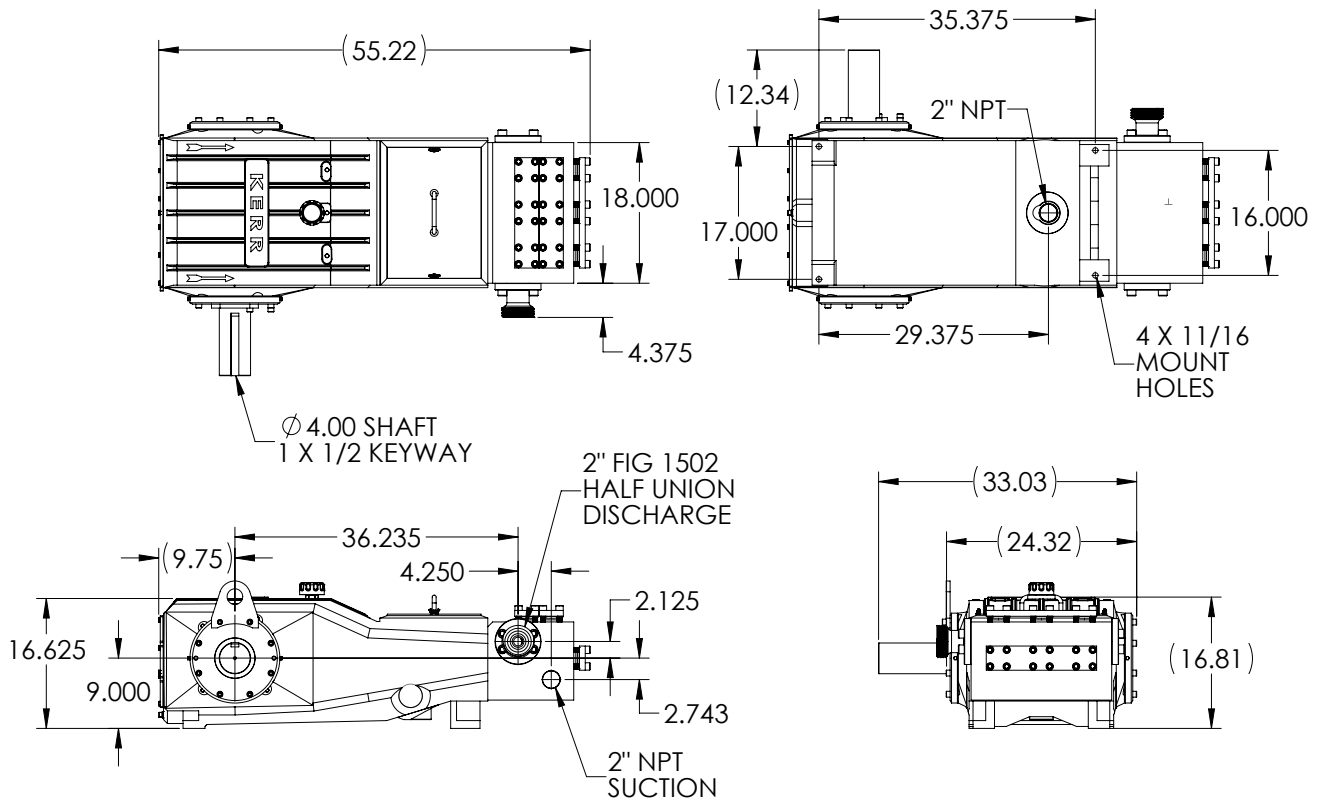
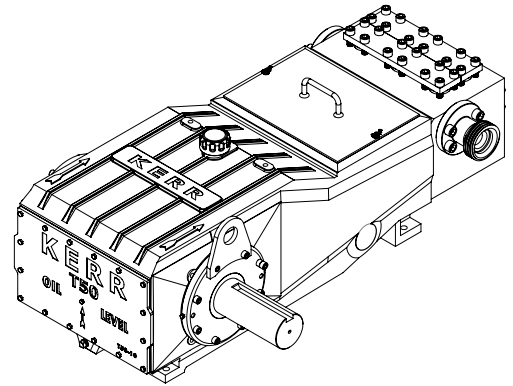
# KERR

## PUMPS

### T50H

146 BHP Triplex Plunger Pump

Continuous Duty



PLGR DIA. INCHES	MAX PRESS PSI	DISP GAL PER REV	DISPLACEMENT																	
			100 RPM		150 RPM		200 RPM		225 RPM		250 RPM		275 RPM		310 RPM		325 RPM		350 RPM	
			GPM	BPD	GPM	BPD	GPM	BPD	GPM	BPD	GPM	BPD	GPM	BPD	GPM	BPD	GPM	BPD	GPM	BPD
0.875	15000	0.0390	3.9	134	5.9	201	7.8	268	8.8	301	9.8	335	10.7	368	12.1	415	12.7	435	13.7	469
1.000	12580	0.0510	5.1	175	7.6	262	10.2	350	11.5	394	12.7	437	14.0	481	15.8	542	16.6	569	17.8	612
1.250	8051	0.0797	8.0	273	12.0	410	15.9	547	17.9	615	19.9	683	21.9	752	24.7	847	25.9	888	27.9	957

\* Consult Factory for Authorized Drawings for Dimensions

1) Displacement is based on 100% Volumetric Efficiency (VE)

2) Consult factory for operating speeds above maximum shown

3) 1 US gallon = 3.78541 liters