

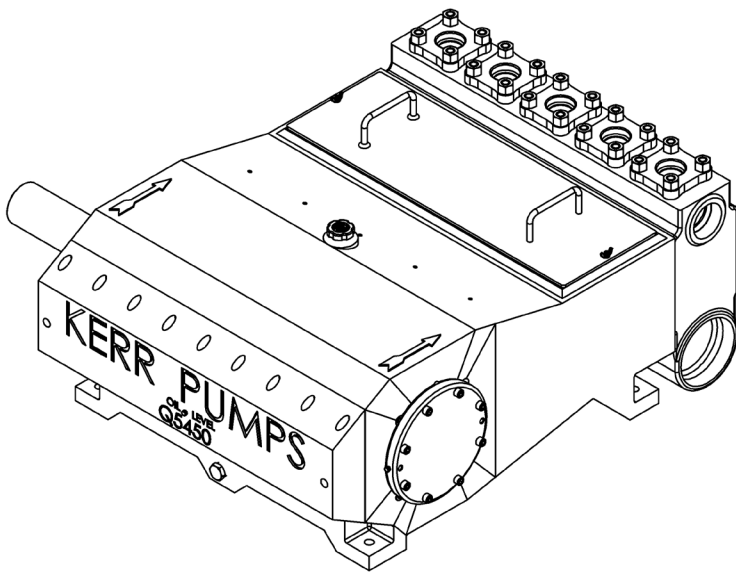
KERR

PUMPS

Q5450C

277 BHP Quintuplex Plunger Pump

Continuous Duty



Q5450C RH

SPECIFICATIONS

| | |
|------------------------------------|--|
| Configuration | Horizontal Quintuplex Plunger |
| Number of Plungers | 5 |
| Stroke Length | 4.5" / 114.3 mm |
| Frame Load Rating | 11,250 lbs |
| Fluid Cylinder Pressure Rating | 2,160 PSI |
| Pump Weight (Avg.) | 4,100 lbs / 1,860 kilos |
| Kerr Max Speed | 390 RPM |
| API-674 Max Speed | 330 RPM |
| Minimum Speed | 100 RPM |
| Mechanical Efficiency (Bare Shaft) | 90% |
| Lube System (Standard) | Splash - Gravity Feed |
| Lube System (Optional) | Force Feed |
| Lube Oil Capacity | 22.5 gallons / 85.2 liters |
| Lube Oil Type | Petroleum per AGMA 5EP (ISO 220) or Synthetic per SAE 75W-90 (ISO 100) |
| Connection Sizes | 6" NPT Suction 3" NPT Discharge |

FLUID END

| |
|------------------------------------|
| Cast Carbon Steel (WCB) |
| Cast Nickel Aluminium Bronze (955) |
| Cast Stainless Steel CF8M (316) |
| Cast Duplex SS CD3MN (2205) |
| Forged Carbon Steel (A105) |
| Forged Stainless Steel (316) |

VALVES

| | |
|-----------------------------------|--|
| DISC TYPE / SEAT (MAX. 2,160 PSI) | |
| Delrin Disc / SS (316) | |
| Delrin / Ni-Al-Brz (955) | |
| Delrin / Duplex SS (CD4MCU) | |
| SS (316) / SS (316) | |
| Titanium / SS (316) | |
| PEEK / SS (316) | |

PLUNGERS

| |
|--------------------------------|
| Colmonoy 730 Hard Coat |
| Solid Ceramic (2,160 Max. PSI) |
| Kerramic (Ceramic) Coated |
| Solid 316 Stainless Steel |
| |
| |
| |

* Consult Factory for Authorized Drawings for Dimensions

1) Displacement is based on 100% Volumetric Efficiency (VE)

2) Consult factory for operating speeds above maximum shown

3) 1 US gallon = 3.78541 liters

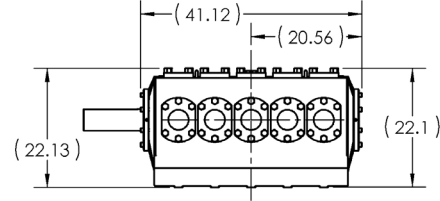
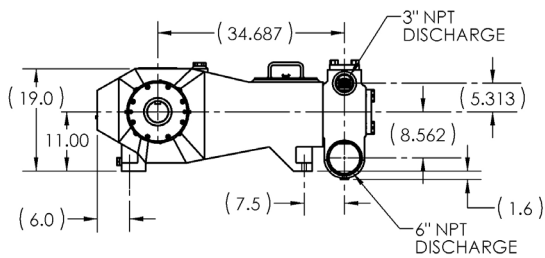
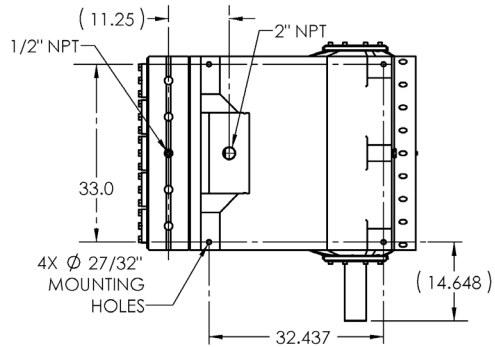
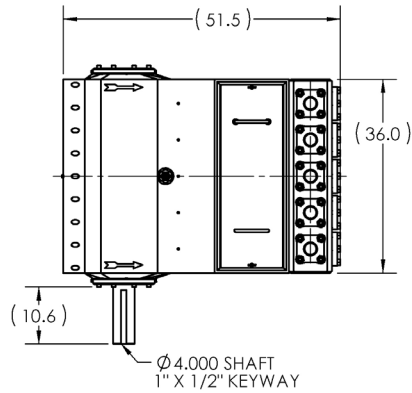
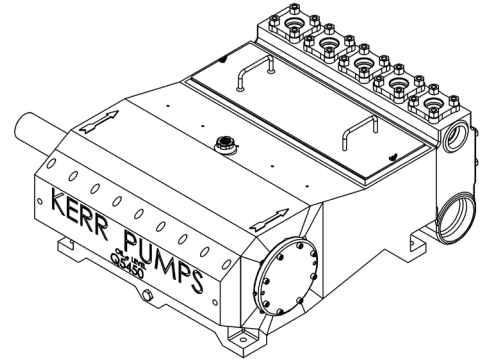
KERR

PUMPS

Q5450C

277 BHP Quintuplex Plunger Pump

Continuous Duty



| PLGR DIA. INCHES | MAX PRESS. PSI | DISP GAL PER REV | DISPLACEMENT | | | | | | | | | | | | | | | | | |
|------------------|----------------|------------------|--------------|------|---------|------|---------|-------|---------|-------|---------|-------|---------|-------|---------|-------|---------|-------|---------|-------|
| | | | 100 RPM | | 150 RPM | | 200 RPM | | 250 RPM | | 275 RPM | | 310 RPM | | 330 RPM | | 350 RPM | | 390 RPM | |
| | | | GPM | BPD | GPM | BPD | GPM | BPD | GPM | BPD | GPM | BPD | GPM | BPD | GPM | BPD | GPM | BPD | GPM | BPD |
| 2.625 | 1801 | 0.5271 | 52.7 | 1808 | 79.1 | 2712 | 105 | 3616 | 132 | 4520 | 145 | 4972 | 163 | 5605 | 174 | 5967 | 184 | 6328 | 206 | 7051 |
| 2.750 | 1641 | 0.5785 | 57.9 | 1984 | 86.8 | 2977 | 116 | 3969 | 145 | 4961 | 159 | 5457 | 179 | 6152 | 191 | 6548 | 202 | 6945 | 226 | 7739 |
| 3.000 | 1379 | 0.6885 | 68.8 | 2362 | 103 | 3542 | 138 | 4723 | 172 | 5904 | 189 | 6494 | 213 | 7321 | 227 | 7793 | 241 | 8265 | 269 | 9210 |
| 3.250 | 1175 | 0.8080 | 80.8 | 2772 | 121 | 4157 | 162 | 5543 | 202 | 6929 | 222 | 7622 | 250 | 8592 | 267 | 9146 | 283 | 9700 | 315 | 10809 |
| 3.500 | 1013 | 0.9371 | 93.7 | 3214 | 141 | 4821 | 187 | 6429 | 234 | 8036 | 258 | 8839 | 291 | 9964 | 309 | 10607 | 328 | 11250 | 365 | 12536 |
| 3.750 | 883 | 1.0758 | 108 | 3690 | 161 | 5535 | 215 | 7380 | 269 | 9225 | 296 | 10147 | 333 | 11439 | 355 | 12177 | 377 | 12915 | 420 | 14391 |
| 4.000 | 776 | 1.2240 | 122 | 4198 | 184 | 6297 | 245 | 8397 | 306 | 10496 | 337 | 11545 | 379 | 13015 | 404 | 13854 | 428 | 14694 | | N/A |
| 4.250 | 687 | 1.3818 | 138 | 4739 | 207 | 7109 | 276 | 9479 | 345 | 11849 | 380 | 13034 | 428 | 14692 | | N/A | | N/A | | N/A |
| 4.500 | 613 | 1.5491 | 155 | 5313 | 232 | 7970 | 310 | 10627 | 387 | 13284 | 426 | 14612 | | N/A | | N/A | | N/A | | N/A |

* Consult Factory for Authorized Drawings for Dimensions

1) Displacement is based on 100% Volumetric Efficiency (VE)

2) Consult factory for operating speeds above maximum shown

3) 1 US gallon = 3.78541 liters