

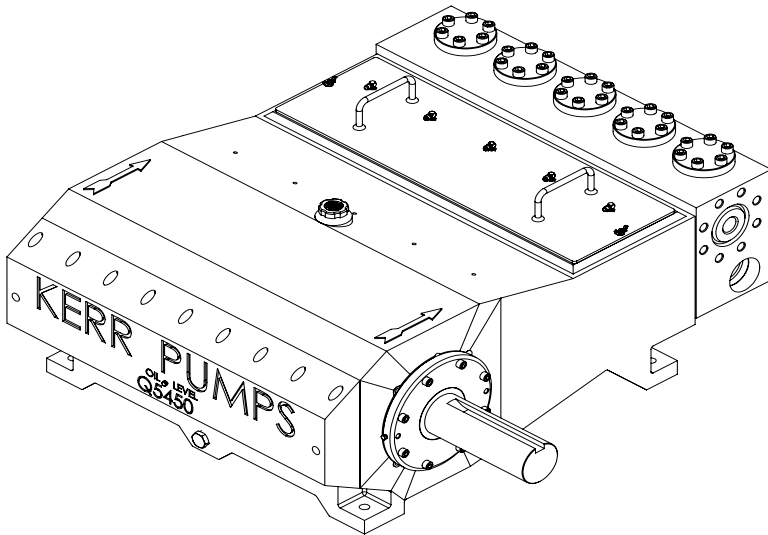
# KERR

## PUMPS

### Q45XP

293 BHP Quintuplex Plunger Pump

Continuous Duty



### SPECIFICATIONS

Configuration	Horizontal Quintuplex Plunger
Number of Plungers	5
Stroke Length	4.5" / 114.3 mm
Frame Load Rating	11,900 lbs
Fluid Cylinder Pressure Rating	6,000 PSI
Pump Weight (Avg.)	4,100 lbs / 1,860 kilos
Kerr Max Speed	390 RPM
API-674 Max Speed	330 RPM
Minimum Speed	100 RPM
Mechanical Efficiency (Bare Shaft)	90%
Lube System (Standard)	Splash -Gravity Feed
Lube System (Optional)	Force Feed
Lube Oil Capacity	22.5 gallons / 85.2 liters
Lube Oil Type	Petroleum per AGMA 5EP (ISO 220) or Synthetic per SAE 75W-90 (ISO 100)
Connection Sizes	3" NPT Suction 2" ANSI 1500 RTJ or 2 1/16" API 5000 Discharge Flange

### FLUID END

Forged Carbon Steel (A105)
Forged Stainless Steel (316)
Other materials available on request

### VALVES

<b>WING GUIDED</b>	
Ni-Al-Brz (955) / Metal-to-Metal	
Monel / Metal-to-Metal	
SS (316) / Metal-to-Metal	
17-4 HT Metal-to-Metal	
SS (316) / AR Urethane Inserted	
17-4 HT / AR Urethane Inserted	

### PLUNGERS

Colmonoy 730 Hard Coat
Solid Ceramic (2,160 Max. PSI)
Kerramic (Ceramic) Coated
Solid 316 Stainless Steel

\* Consult Factory for Authorized Drawings for Dimensions

1) Displacement is based on 100% Volumetric Efficiency (VE)

2) Consult factory for operating speeds above maximum shown

3) 1 US gallon = 3.78541 liters

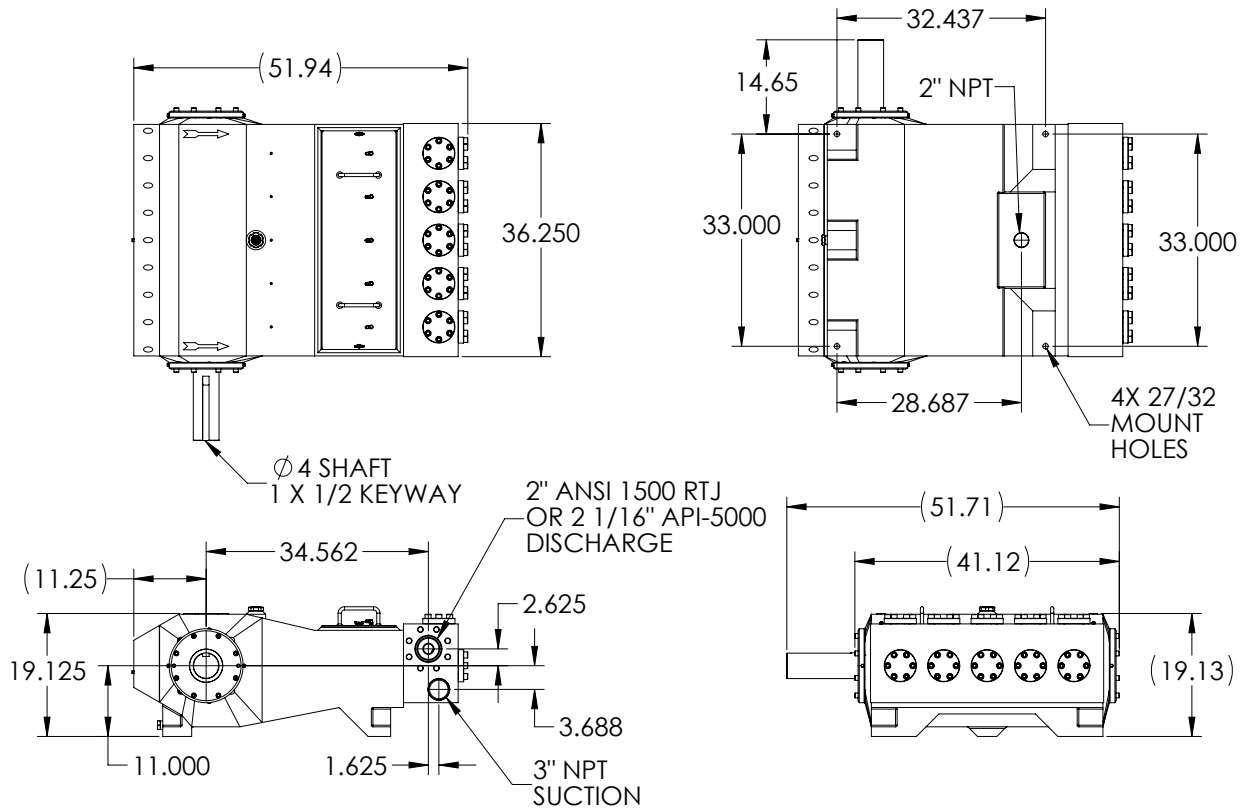
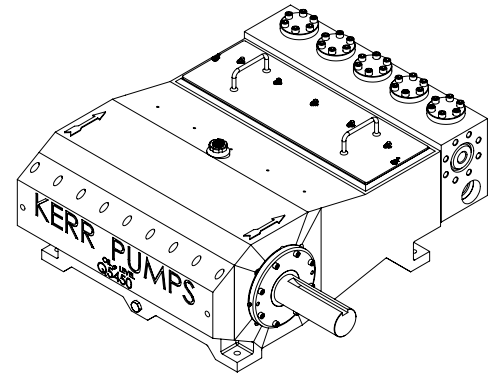
# KERR

## PUMPS

### Q45XP

293 BHP Quintuplex Plunger Pump

Continuous Duty



PLGR DIA. INCHES	MAX PRESS PSI	DISP GAL PER REV	DISPLACEMENT																	
			100 RPM		150 RPM		200 RPM		250 RPM		285 RPM		315 RPM		335 RPM		355 RPM		390 RPM	
			GPM	BPD	GPM	BPD	GPM	BPD	GPM	BPD	GPM	BPD	GPM	BPD	GPM	BPD	GPM	BPD	GPM	BPD
1.750	4947	0.2343	23.4	804	35.1	1205	46.9	1607	58.6	2009	66.8	2290	73.8	2531	78.5	2692	83.2	2853	91.4	3134
2.000	3788	0.3060	30.6	1050	45.9	1574	61.2	2099	76.5	2624	87.2	2991	96.4	3306	103	3516	109	3726	119	4093
2.250	2993	0.3873	38.7	1328	58.1	1993	77.5	2657	96.8	3321	110	3786	122	4184	130	4450	137	4716	N/A	
2.500	2424	0.4781	47.8	1640	71.7	2460	95.6	3280	120	4100	136	4674	N/A		N/A		N/A		N/A	

\* Consult Factory for Authorized Drawings for Dimensions

1) Displacement is based on 100% Volumetric Efficiency (VE)

2) Consult factory for operating speeds above maximum shown

3) 1 US gallon = 3.78541 liters