

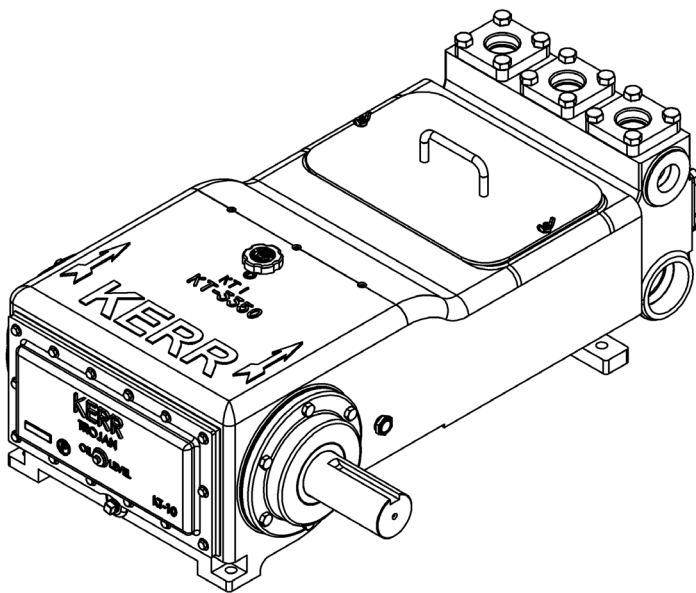
KERR

PUMPS

KT-3350XP

71 BHP Triplex Plunger Pump

Continuous Duty



KT-3350XP RH

SPECIFICATIONS

Configuration	Horizontal Triplex Plunger
Number of Plungers	3
Stroke Length	3.5" / 89 mm
Frame Load Rating	6,055 lbs
Fluid Cylinder Pressure Rating	3,600 PSI
Pump Weight (Avg.)	1,200 lbs / 545 kilos
Kerr Max Speed	400 RPM
API-674 Max Speed	375 RPM
Minimum Speed	100 RPM
Mechanical Efficiency (Bare Shaft)	90%
Lube System (Standard)	Splash - Gravity Feed
Lube System (Optional)	Force Feed
Lube Oil Capacity	16 quarts / 15.4 liters
Lube Oil Type	Petroleum per AGMA 5EP (ISO 220) or Synthetic per SAE 75W-90 (ISO 100)
Connection Sizes	3" NPT Suction 1 1/2" NPT Discharge

FLUID END

Cast Ductile Iron (65-45-12)
Cast Carbon Steel (WCB)
Cast Nickel Aluminium Bronze (955)
Cast Stainless Steel CF8M (316)
Cast Duplex SS CD3MN (2205)
Forged Carbon Steel (A105)
Forged Stainless Steel (316)

VALVES

DISC TYPE / SEAT (MAX. 2,160 PSI)	WING GUIDED
Delrin Disc / SS (316)	Ni-Al-Brz (955) / Metal-to-Metal
Delrin / Ni-Al-Brz (955)	Monel / Metal-to-Metal
Delrin / Duplex SS (CD4MCU)	SS (316) / Metal-to-Metal
SS (316) / SS (316)	17-4 HT Metal-to-Metal
Titanium / SS (316)	SS (316) / AR Urethane Inserted
PEEK / SS (316)	17-4 HT / AR Urethane Inserted

PLUNGERS

Colmonoy 730 Hard Coat
Solid Ceramic (2,160 Max. PSI)
Kerramic (Ceramic) Coated
Solid 316 Stainless Steel

* Consult Factory for Authorized Drawings for Dimensions

1) Displacement is based on 100% Volumetric Efficiency (VE)

2) Consult factory for operating speeds above maximum shown

3) 1 US gallon = 3.78541 liters

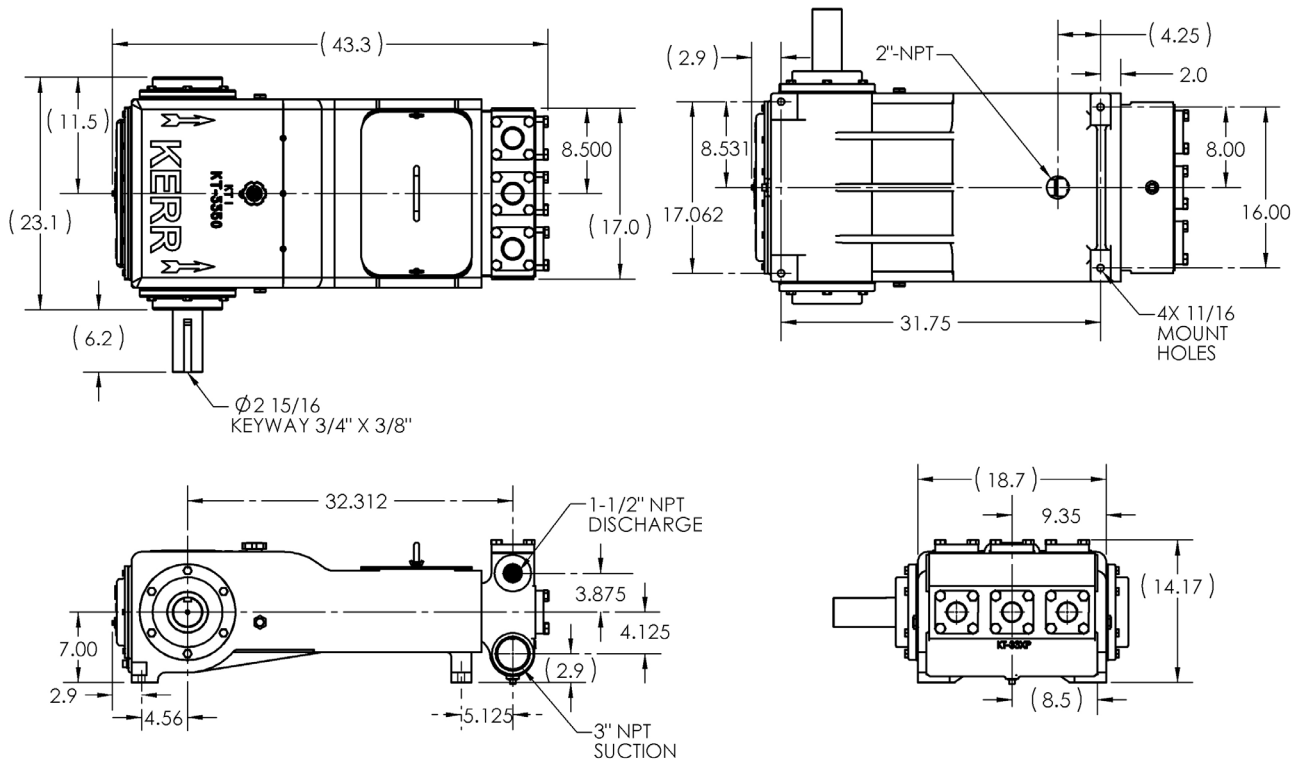
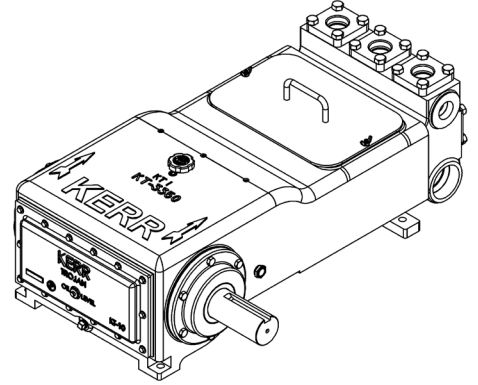
KERR

PUMPS

KT-3350XP

71 BHP Triplex Plunger Pump

Continuous Duty



PLGR DIA. INCHES	MAX PRESS PSI	DISP GAL PER REV	DISPLACEMENT																	
			100 RPM		150 RPM		200 RPM		250 RPM		300 RPM		325 RPM		350 RPM		375 RPM		400 RPM	
			GPM	BPD	GPM	BPD	GPM	BPD	GPM	BPD	GPM	BPD	GPM	BPD	GPM	BPD	GPM	BPD	GPM	BPD
1.500	3426	0.0803	8.0	276	12.0	413	16.1	551	20.1	689	24.1	827	26.1	895	28.1	964	30.1	1033	32.1	1102
1.750	2517	0.1093	10.9	375	16.4	563	21.9	750	27.3	938	32.8	1125	35.5	1219	38.3	1313	41.0	1406	43.7	1500
2.000	1927	0.1428	14.3	490	21.4	735	28.6	980	35.7	1225	42.8	1469	46.4	1592	50.0	1714	53.5	1837	57.1	1959
2.250	1523	0.1807	18.1	620	27.1	930	36.1	1240	45.2	1550	54.2	1860	58.7	2015	63.3	2170	67.8	2325	72.3	2480

* Consult Factory for Authorized Drawings for Dimensions

1) Displacement is based on 100% Volumetric Efficiency (VE)

2) Consult factory for operating speeds above maximum shown

3) 1 US gallon = 3.78541 liters