

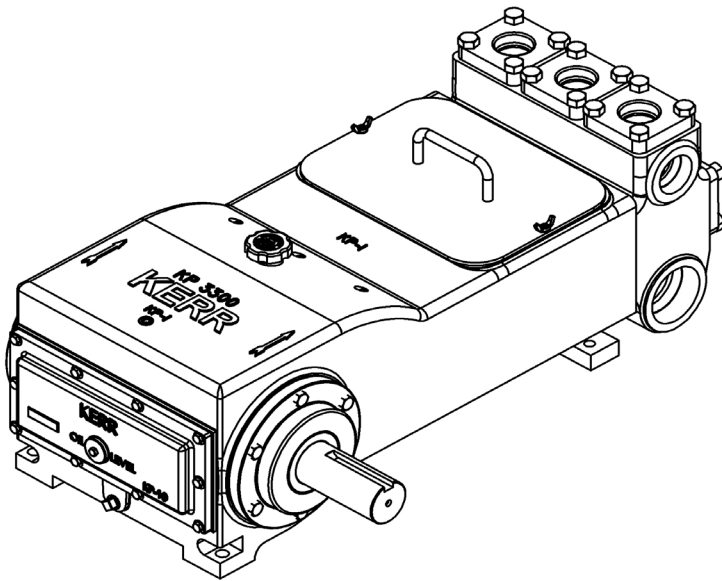
# KERR

## PUMPS

### KP-3300BC

56.6 BHP Triplex Plunger Pump

Continuous Duty



KP-3300BC RH

### SPECIFICATIONS

Configuration	Horizontal Triplex Plunger
Number of Plungers	3
Stroke Length	3.0" / 76.2 mm
Frame Load Rating	5,150 lbs
Fluid Cylinder Pressure Rating	3,600 PSI
Pump Weight (Avg.)	800 lbs / 364 kilos
Kerr Max Speed	435 RPM
API-674 Max Speed	400 RPM
Minimum Speed	100 RPM
Mechanical Efficiency (Bare Shaft)	90%
Lube System (Standard)	Splash - Gravity Feed
Lube System (Optional)	Force Feed
Lube Oil Capacity	12 quarts / 11.36 liters
Lube Oil Type	Petroleum per AGMA 5EP (ISO 220) or Synthetic per SAE 75W-90 (ISO 100)
Connection Sizes	3" NPT Suction 2" NPT Discharge

### FLUID END

Cast Ductile Iron (65-45-12)
Cast Carbon Steel (WCB)
Cast Nickel Aluminium Bronze (955)
Cast Stainless Steel CF8M (316)
Cast Duplex SS CD3MN (2205)
Forged Carbon Steel (A105)
Forged Stainless Steel (316)

### VALVES

DISC TYPE / SEAT (MAX. 2,160 PSI)	WING GUIDED
Delrin Disc / SS (316)	Ni-Al-Brz (955) / Metal-to-Metal
Delrin / Ni-Al-Brz (955)	Monel / Metal-to-Metal
Delrin / Duplex SS (CD4MCU)	SS (316) / Metal-to-Metal
SS (316) / SS (316)	17-4 HT Metal-to-Metal
Titanium / SS (316)	SS (316) / AR Urethane Inserted
PEEK / SS (316)	17-4 HT / AR Urethane Inserted

### PLUNGERS

Colmonoy 730 Hard Coat
Solid Ceramic (2,160 Max. PSI)
Kerramic (Ceramic) Coated
Solid 316 Stainless Steel

\* Consult Factory for Authorized Drawings for Dimensions

1) Displacement is based on 100% Volumetric Efficiency (VE)

2) Consult factory for operating speeds above maximum shown

3) 1 US gallon = 3.78541 liters

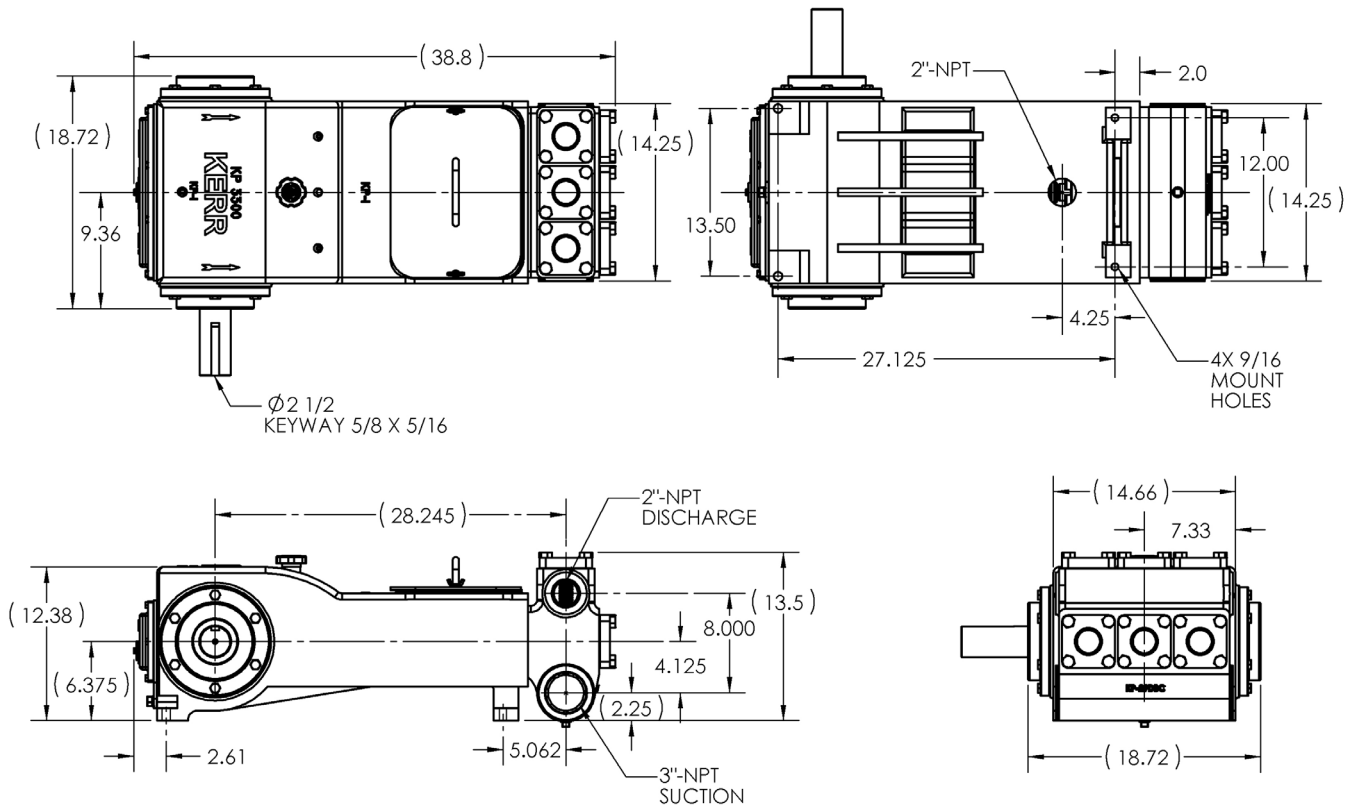
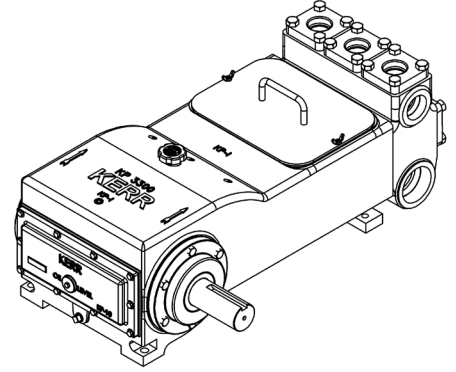
# KERR

## PUMPS

### KP-3300BC

56.6 BHP Triplex Plunger Pump

Continuous Duty



PLGR DIA. INCHES	MAX PRESS PSI	DISP GAL PER REV	DISPLACEMENT																	
			100 RPM		150 RPM		200 RPM		250 RPM		300 RPM		350 RPM		375 RPM		400 RPM		435 RPM	
			GPM	BPD	GPM	BPD	GPM	BPD	GPM	BPD	GPM	BPD	GPM	BPD	GPM	BPD	GPM	BPD	GPM	BPD
1.250	3600	0.0478	4.8	164	7.2	246	9.6	328	12.0	410	14.3	492	16.7	574	17.9	615	19.1	656	20.8	713
1.500	2914	0.0688	6.9	236	10.3	354	13.8	472	17.2	590	20.7	708	24.1	827	25.8	886	27.5	945	29.9	1027
1.750	2141	0.0937	9.4	321	14.1	482	18.7	643	23.4	804	28.1	964	32.8	1125	35.1	1205	37.5	1286	40.8	1398
2.000	1639	0.1224	12.2	420	18.4	630	24.5	840	30.6	1050	36.7	1259	42.8	1469	45.9	1574	49.0	1679	53.2	1826
2.250	1295	0.1549	15.5	531	23.2	797	31.0	1063	38.7	1328	46.5	1594	54.2	1860	58.1	1993	62.0	2125	67.4	2311
2.500	1049	0.1912	19.1	656	28.7	984	38.2	1312	47.8	1640	57.4	1968	66.9	2296	71.7	2460	N/A		N/A	

\* Consult Factory for Authorized Drawings for Dimensions

1) Displacement is based on 100% Volumetric Efficiency (VE)

2) Consult factory for operating speeds above maximum shown

3) 1 US gallon = 3.78541 liters