

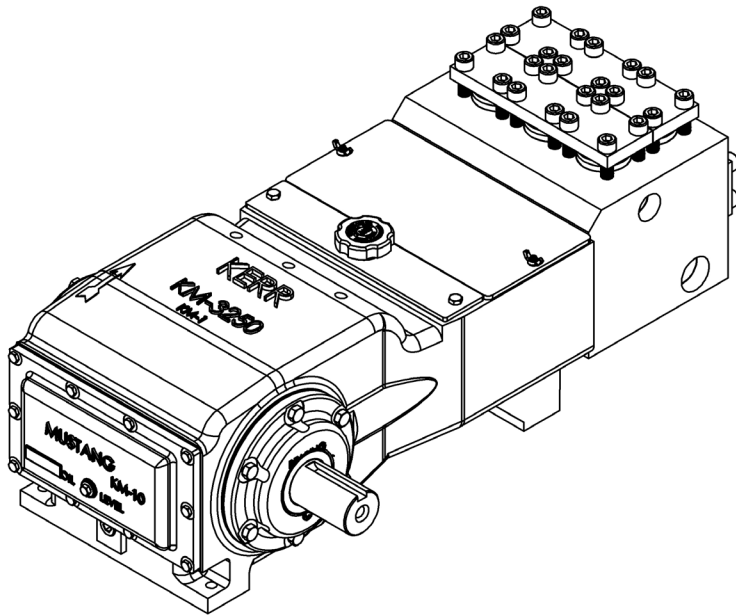
# KERR

## PUMPS

### KM-3250BCB

34.9 BHP Triplex Plunger Pump

Continuous Duty



**KM-3250BCB - RH**

### SPECIFICATIONS

Configuration	Horizontal Triplex Plunger
Number of Plungers	3
Stroke Length	2.5" / 63.5 mm
Frame Load Rating	3,250 lbs
Fluid Cylinder Pressure Rating	8,475 PSI
Pump Weight (Avg.)	340 lbs / 155 kilos
Kerr Max Speed	465 RPM
Minimum Speed	100 RPM
Mechanical Efficiency (Bare Shaft)	90%
Lube System (Standard)	Splash- Gravity Feed
Lube System (Optional)	Force Feed
Lube Oil Capacity	4 quarts / 3.785 liters
Lube Oil Type	Petroleum per AGMA SEP (ISO 220) or Synthetic per SAE 75W-90 (ISO 100)
Connection Sizes	1 1/4" NPT Suction 1" NPT Discharge

### FLUID END

Forged Carbon Steel A105
Forged Stainless Steel 316
Other materials available on request

### PLUNGERS

Colmonoy 730 Hard Coat
Solid Ceramic
Kerramic (Ceramic) Coated
Solid 316 Stainless Steel

### VALVES

BALL VALVE / SEAT	
Stanalloy / Stanalloy (440 SS)	
Sheralloy / Sheralloy (Cobalt Base)	

\* Consult Factory for Authorized Drawings for Dimensions ~ Threaded or Flanged Connections Available

\* Flanges Available Only With Steel or Stainless Steel Fluid Ends

1) Displacement is based on 100% Volumetric Efficiency (VE)

2) BHP / KW is based on 90% Mechanical Efficiency (ME)

3) Consult factory for operating speeds above maximum shown

4) 1 US gallon = 3.78541 liters

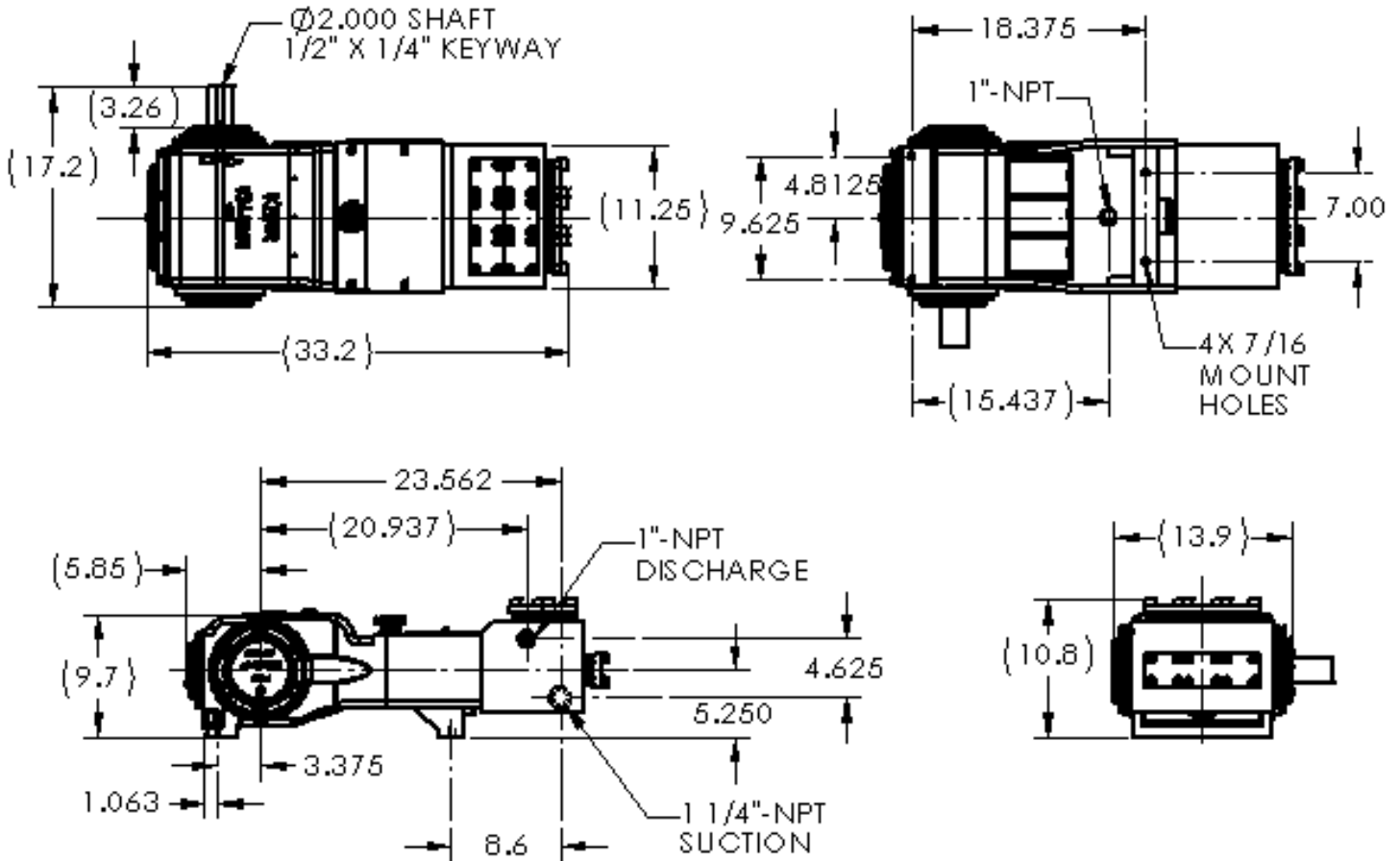
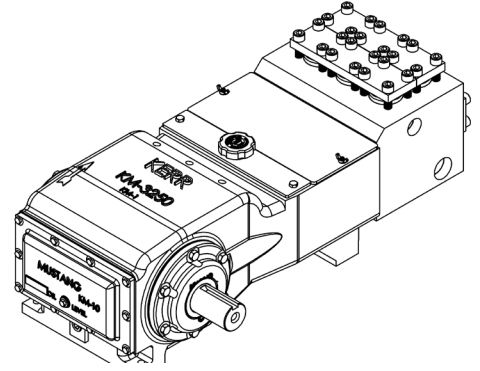
# KERR

## PUMPS

### KM-3250BCB

34.9 BHP Triplex Plunger Pump

Continuous Duty



PLGR DIA. INCHES	MAX PRESS PSI	DISP GAL PER REV	DISPLACEMENT																	
			100 RPM		175 RPM		250 RPM		325 RPM		350 RPM		375 RPM		400 RPM		425 RPM		465 RPM	
			GPM	BPD	GPM	BPD	GPM	BPD	GPM	BPD	GPM	BPD	GPM	BPD	GPM	BPD	GPM	BPD	GPM	BPD
0.625	8475	0.0100	1.0	34	1.7	60	2.5	85	3.2	111	3.5	120	3.7	128	4.0	137	4.2	145	4.6	159
0.750	5885	0.0143	1.4	49	2.5	86	3.6	123	4.7	160	5.0	172	5.4	184	5.7	197	6.1	209	6.7	229
0.875	4324	0.0195	2.0	67	3.4	117	4.9	167	6.3	218	6.8	234	7.3	251	7.8	268	8.3	285	9.1	311
1.000	3310	0.0255	2.5	87	4.5	153	6.4	219	8.3	284	8.9	306	9.6	328	10.2	350	10.8	372	11.9	407
1.250	2119	0.0398	4.0	137	7.0	239	10.0	342	12.9	444	13.9	478	14.9	512	15.9	547	16.9	581	18.5	635

\* Consult Factory for Authorized Drawings for Dimensions ~ Threaded or Flanged Connections Available

\* Flanges Available Only With Steel or Stainless Steel Fluid Ends

1) Displacement is based on 100% Volumetric Efficiency (VE)

2) BHP / KW is based on 90% Mechanical Efficiency (ME)

3) Consult factory for operating speeds above maximum shown

4) 1 US gallon = 3.78541 liters