

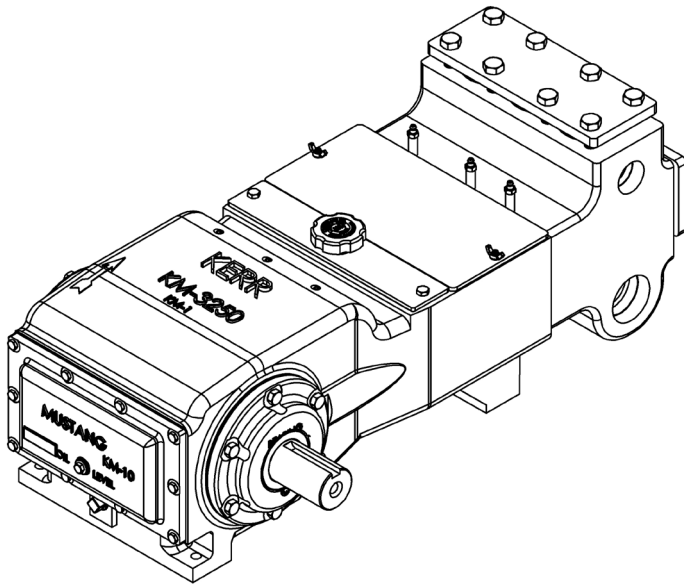
KERR

PUMPS

KM-3250BC

25.4 BHP Triplex Plunger Pump

Continuous Duty



KM-3250BCRH

SPECIFICATIONS

Configuration	Horizontal Triplex Plunger
Number of Plungers	3
Stroke Length	2.5" / 63.5 mm
Frame Load Rating	2,600 lbs
Fluid Cylinder Pressure Rating	3,600 PSI
Pump Weight (Avg.)	340 lbs / 155 kilos
Kerr Max Speed	465 RPM
API-674 Max Speed	425 RPM
Minimum Speed	100 RPM
Mechanical Efficiency (Bare Shaft)	90%
Lube System (Standard)	Splash - Gravity Feed
Lube System (Optional)	Force Feed
Lube Oil Capacity	4 quarts / 3.785 liters
Lube Oil Type	Petroleum per AGMA 5EP (ISO 220) or Synthetic per SAE 75W-90 (ISO 100)
Connection Sizes	2" NPT Suction 1 1/4" NPT Discharge

FLUID END

Cast Ductile Iron (65-45-12)
Cast Carbon Steel (WCB)
Cast Nickel Aluminium Bronze (955)
Cast Stainless Steel CF8M (316)
Cast Duplex SS CD3MN (2205)
Forged Carbon Steel (A105)
Forged Stainless Steel (316)

VALVES

DISC TYPE / SEAT (MAX. 2,160 PSI)	WING GUIDED
Delrin Disc / SS (316)	Ni-Al-Brz (955) / Metal-to-Metal
Delrin / Ni-Al-Brz (955)	Monel / Metal-to-Metal
Delrin / Duplex SS (CD4MCU)	SS (316) / Metal-to-Metal
SS (316) / SS (316)	17-4 HT Metal-to-Metal
Titanium / SS (316)	SS (316) / AR Urethane Inserted
PEEK / SS (316)	17-4 HT / AR Urethane Inserted

PLUNGERS

Colmonoy 730 Hard Coat
Solid Ceramic (2,160 Max. PSI)
Kerramic (Ceramic) Coated
Solid 316 Stainless Steel

* Consult Factory for Authorized Drawings for Dimensions

1) Displacement is based on 100% Volumetric Efficiency (VE)

2) Consult factory for operating speeds above maximum shown

3) 1 US gallon = 3.78541 liters

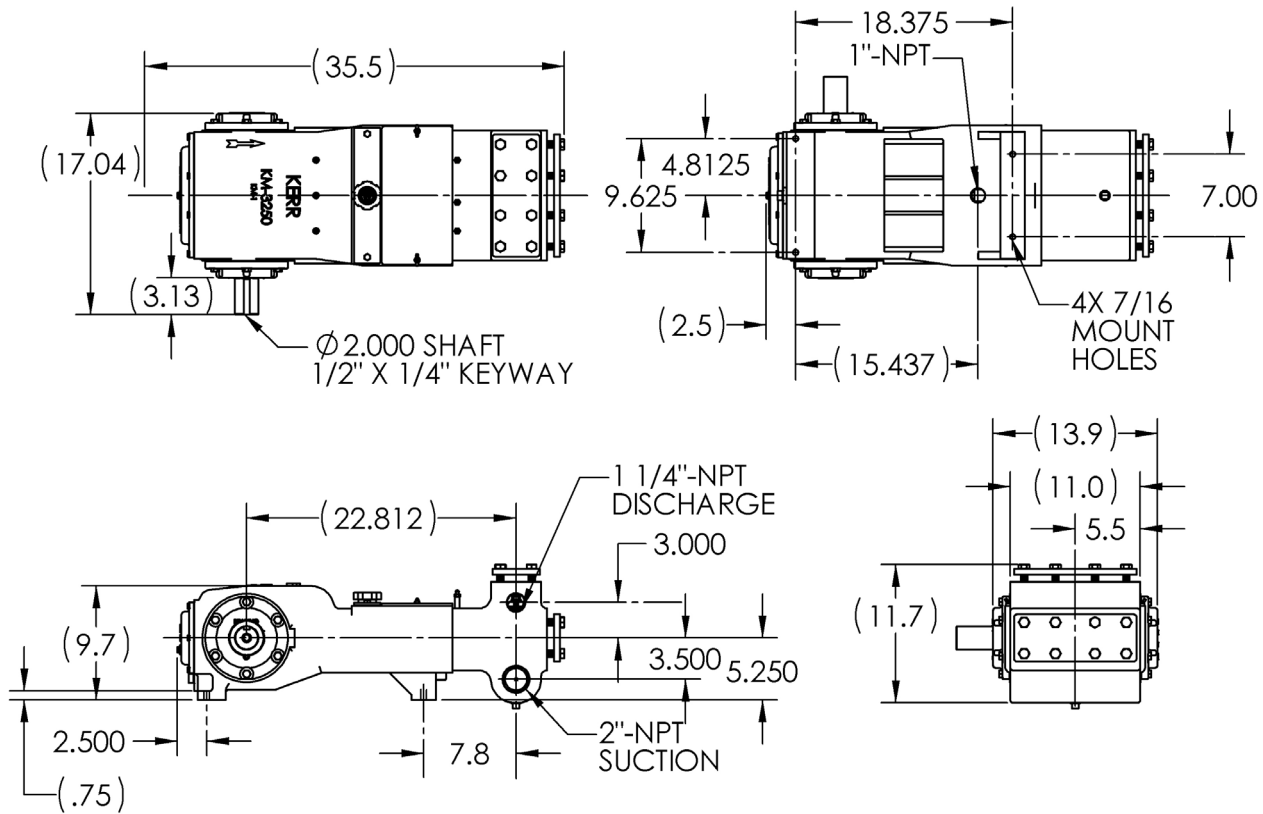
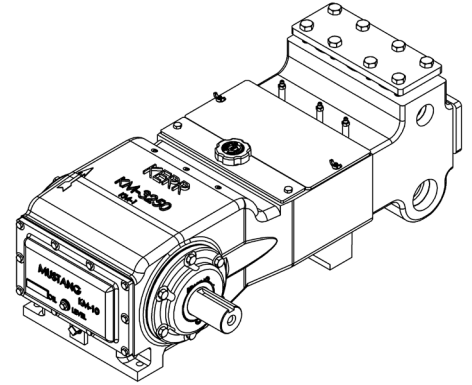
KERR

PUMPS

KM-3250BC

25.4 BHP Triplex Plunger Pump

Continuous Duty



PLGR DIA. INCHES	MAX PRESS. PSI	DISP GAL PER REV	DISPLACEMENT																	
			100 RPM		175 RPM		250 RPM		325 RPM		350 RPM		375 RPM		400 RPM		425 RPM		465 RPM	
			GPM	BPD	GPM	BPD	GPM	BPD	GPM	BPD	GPM	BPD	GPM	BPD	GPM	BPD	GPM	BPD	GPM	BPD
1.000	3310	0.0255	2.5	87	4.5	153	6.4	219	8.3	284	8.9	306	9.6	328	10.2	350	10.8	372	11.9	407
1.250	2119	0.0398	4.0	137	7.0	239	10.0	342	12.9	444	13.9	478	14.9	512	15.9	547	16.9	581	18.5	635
1.500	1471	0.0574	5.7	197	10.0	344	14.3	492	18.6	640	20.1	689	21.5	738	22.9	787	24.4	836	26.7	915
1.750	1081	0.0781	7.8	268	13.7	469	19.5	670	25.4	871	27.3	938	29.3	1004	31.2	1071	33.2	1138	36.3	1246
2.000	828	0.1020	10.2	350	17.8	612	25.5	875	33.1	1137	35.7	1225	38.2	1312	40.8	1399	43.3	1487	47.4	1627

* Consult Factory for Authorized Drawings for Dimensions

1) Displacement is based on 100% Volumetric Efficiency (VE)

2) Consult factory for operating speeds above maximum shown

3) 1 US gallon = 3.78541 liters