

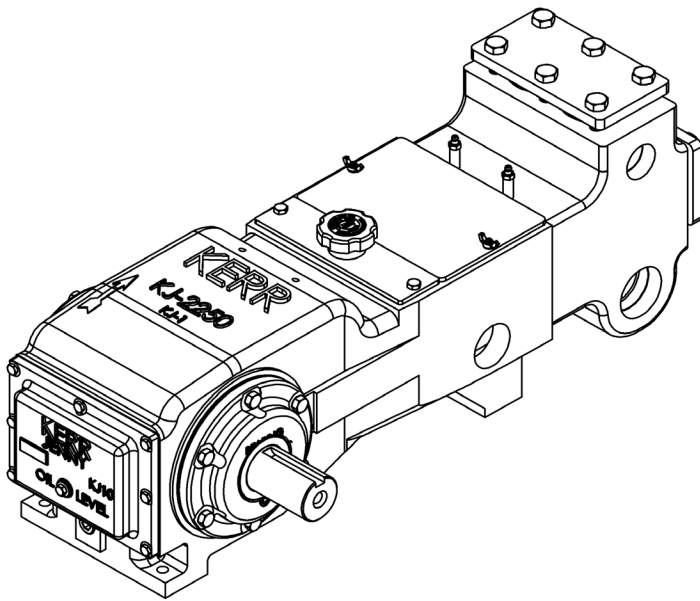
KERR

PUMPS

KJ-2250BC

16 BHP Duplex Plunger Pump

Continuous Duty



KJ-2250BC RH

SPECIFICATIONS

Configuration	Horizontal Duplex Plunger
Number of Plungers	2
Stroke Length	2.5" / 63.5 mm
Frame Load Rating	2,600 lbs
Fluid Cylinder Pressure Rating	3,600 PSI
Pump Weight (Avg.)	230 lbs / 105 kilos
Kerr Max Speed	390 RPM
Minimum Speed	100 RPM
Mechanical Efficiency (Bare Shaft)	80%
Lube System (Standard)	Splash - Gravity Feed
Lube System (Optional)	Force Feed
Lube Oil Capacity	3 quarts / 2.85 liters
Lube Oil Type	Petroleum per AGMA 5EP (ISO 220) or Synthetic per SAE 75W-90 (ISO 100)
Connection Sizes	2" NPT Suction 1 1/4" NPT Discharge

FLUID END

Cast Carbon Steel (WCB)
Cast Nickel Aluminum Bronze (955)
Cast Stainless Steel CF8M (316)
Cast Duplex SS CD3MN (2205)
Forged Carbon Steel (A105)
Forged Stainless Steel (316)

VALVES

DISC TYPE / SEAT (MAX. 2,160 PSI)	WING GUIDED
Delrin Disc / SS (316)	Ni-Al-Brz (955) / Metal-to-Metal
Delrin / Ni-Al-Brz (955)	Monel / Metal-to-Metal
Delrin / Duplex SS (CD4MCU)	SS (316) / Metal-to-Metal
SS (316) / SS (316)	17-4 HT Metal-to-Metal
Titanium / SS (316)	SS (316) / AR Urethane Inserted
PEEK / SS (316)	17-4 HT / AR Urethane Inserted

PLUNGERS

Colmonoy 730 Hard Coat
Solid Ceramic (2,160 Max. PSI)
Kerramic (Ceramic) Coated
Solid 316 Stainless Steel

* Consult Factory for Authorized Drawings for Dimensions

1) Displacement is based on 100% Volumetric Efficiency (VE)

2) Consult factory for operating speeds above maximum shown

3) 1 US gallon = 3.78541 liters

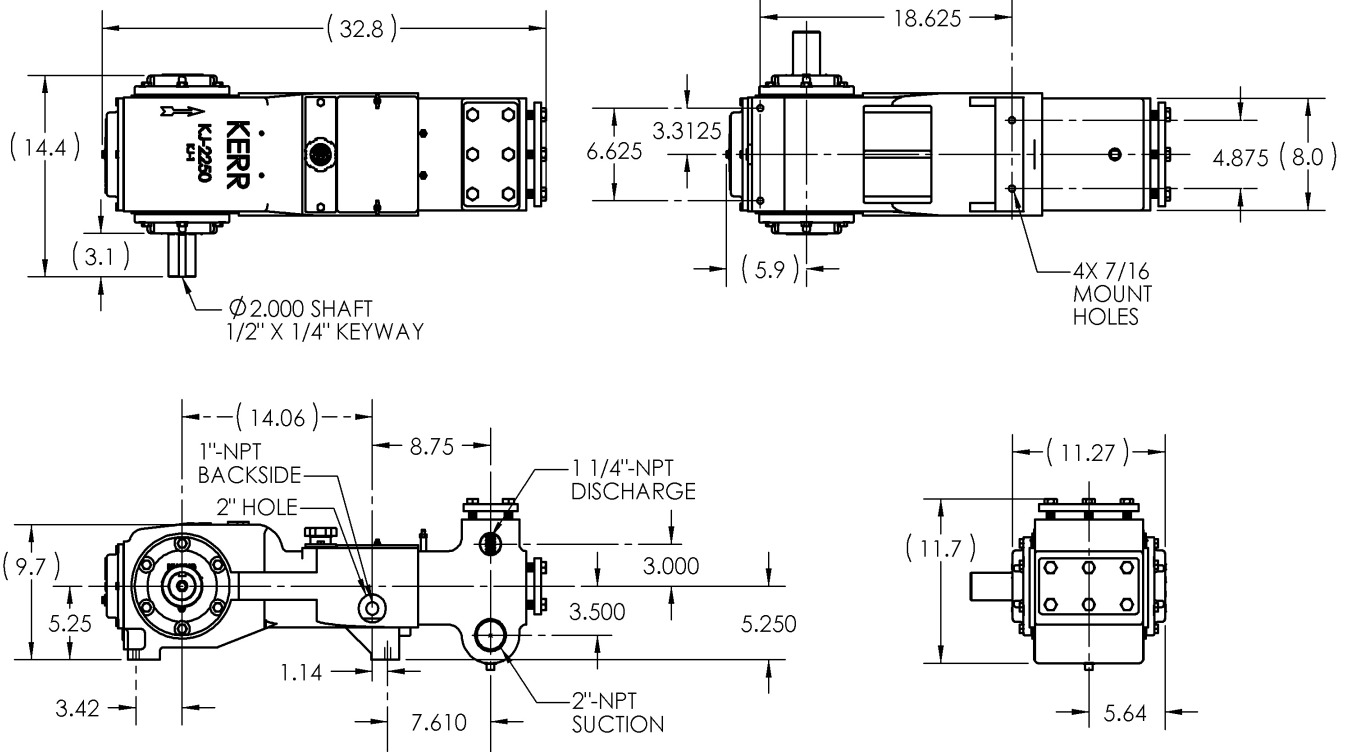
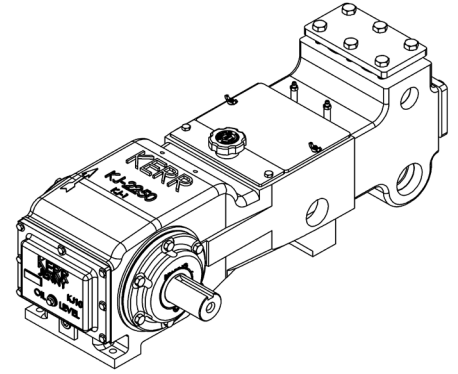
KERR

PUMPS

KJ-2250BC

16 BHP Duplex Plunger Pump

Continuous Duty



PLGR DIA. INCHES	MAX PRESS. PSI	DISP GAL PER REV	DISPLACEMENT																	
			100 RPM		140 RPM		180 RPM		215 RPM		250 RPM		285 RPM		320 RPM		355 RPM		390 RPM	
			GPM	BPD	GPM	BPD	GPM	BPD	GPM	BPD	GPM	BPD	GPM	BPD	GPM	BPD	GPM	BPD	GPM	BPD
1.000	3310	0.0170	1.7	58	2.4	82	3.1	105	3.7	125	4.2	146	4.8	166	5.4	187	6.0	207	6.6	227
1.250	2119	0.0266	2.7	91	3.7	128	4.8	164	5.7	196	6.6	228	7.6	260	8.5	292	9.4	323	10.4	355
1.500	1471	0.0382	3.8	131	5.4	184	6.9	236	8.2	282	9.6	328	10.9	374	12.2	420	13.6	466	14.9	512
1.750	1081	0.0521	5.2	179	7.3	250	9.4	321	11.2	384	13.0	446	14.8	509	16.7	571	18.5	634	20.3	696
2.000	828	0.0680	6.8	233	9.5	327	12.2	420	14.6	501	17.0	583	19.4	665	21.8	746	24.1	828	26.5	910

* Consult Factory for Authorized Drawings for Dimensions

1) Displacement is based on 100% Volumetric Efficiency (VE)

2) Consult factory for operating speeds above maximum shown

3) 1 US gallon = 3.78541 liters