

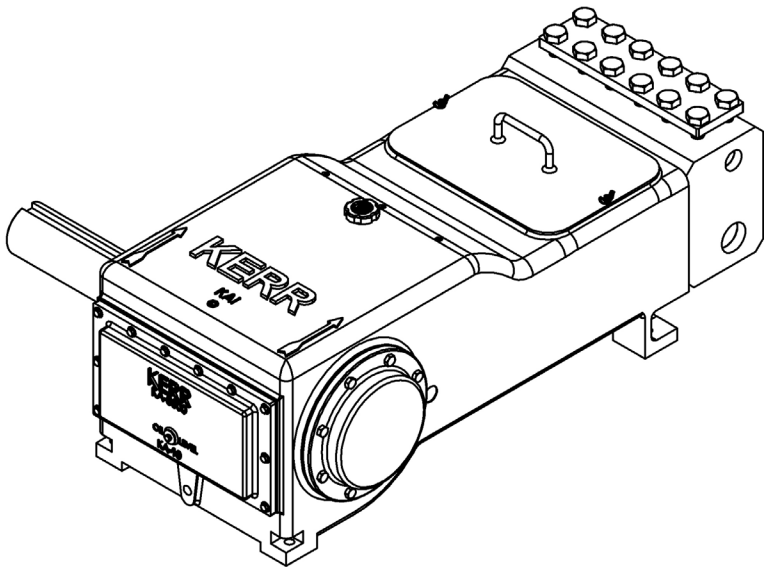
# KERR

## PUMPS

### KA-3500HP

102 BHP Triplex Plunger Pump

Continuous Duty



**KA-3500HP**

### SPECIFICATIONS

Configuration	Horizontal Triplex Plunger
Number of Plungers	3
Stroke Length	5" / 127 mm
Frame Load Rating	6,930 lbs
Fluid Cylinder Pressure Rating	6,000 PSI
Pump Weight (Avg.)	1,900 lbs / 864 kilos
Kerr Max Speed	350 RPM
API-674 Max Speed	310 RPM
Minimum Speed	100 RPM
Mechanical Efficiency (Bare Shaft)	90%
Lube System (Standard)	Splash - Gravity Feed
Lube System (Optional)	Force Feed
Lube Oil Capacity	24 quarts / 22.75 liters
Lube Oil Type	Petroleum per AGMA 5EP (ISO 220) or Synthetic per SAE 75W-90 (ISO 100)
Connection Sizes	2" NPT Suction 1 1/4" NPT Discharge

### FLUID END

Forged Carbon Steel (A105)
Forged Stainless Steel (316)
Other materials available on request

### VALVES

WING GUIDED	
Ni-Al-Brz (955) / Metal-to-Metal	
Monel / Metal-to-Metal	
SS (316) / Metal-to-Metal	
17-4 HT Metal-to-Metal	
SS (316) / AR Urethane Inserted	
17-4 HT / AR Urethane Inserted	

### PLUNGERS

Colmonoy 730 Hard Coat
Solid Ceramic (2,160 Max. PSI)
Kerramic (Ceramic) Coated
Solid 316 Stainless Steel

\* Consult Factory for Authorized Drawings for Dimensions

1) Displacement is based on 100% Volumetric Efficiency (VE)

2) Consult factory for operating speeds above maximum shown

3) 1 US gallon = 3.78541 liters

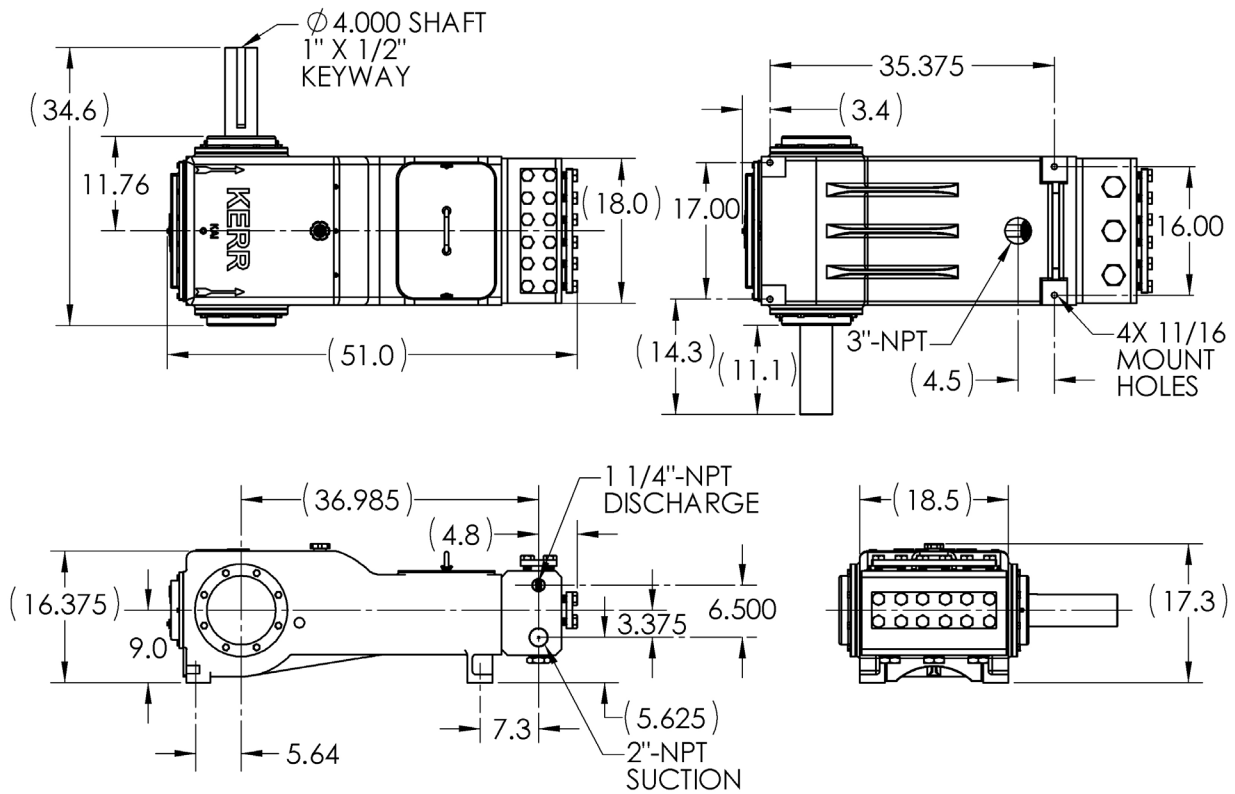
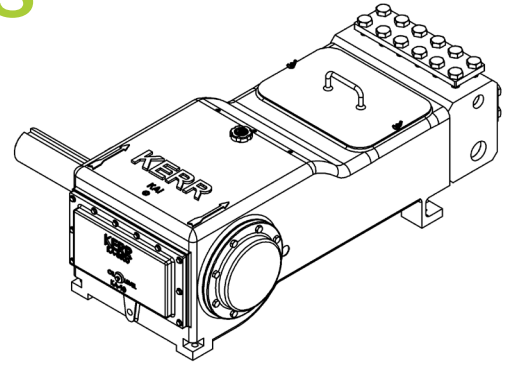
# KERR

## PUMPS

### KA-3500HP

102 BHP Triplex Plunger Pump

Continuous Duty



PLGR DIA. INCHES	MAX PRESS PSI	DISP GAL PER REV	DISPLACEMENT																	
			100 RPM		150 RPM		200 RPM		225 RPM		250 RPM		275 RPM		310 RPM		325 RPM		350 RPM	
			GPM	BPD	GPM	BPD	GPM	BPD	GPM	BPD	GPM	BPD	GPM	BPD	GPM	BPD	GPM	BPD	GPM	BPD
1.250	5647	0.0797	8.0	273	12.0	410	15.9	547	17.9	615	19.9	683	21.9	752	24.7	847	25.9	888	27.9	957
1.500	3922	0.1147	11.5	394	17.2	590	22.9	787	25.8	886	28.7	984	31.6	1082	35.6	1220	37.3	1279	40.2	1378
1.750	2881	0.1562	15.6	536	23.4	804	31.2	1071	35.1	1205	39.0	1339	43.0	1473	48.4	1661	50.8	1741	54.7	1875
2.000	2206	0.2040	20.4	700	30.6	1050	40.8	1399	45.9	1574	51.0	1749	56.1	1924	63.2	2169	66.3	2274	71.4	2449

\* Consult Factory for Authorized Drawings for Dimensions

1) Displacement is based on 100% Volumetric Efficiency (VE)

2) Consult factory for operating speeds above maximum shown

3) 1 US gallon = 3.78541 liters