

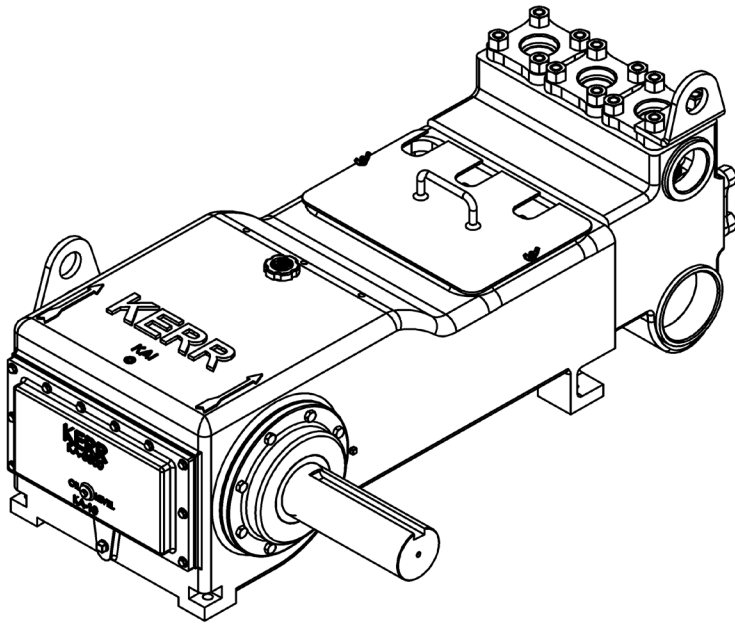
KERR

PUMPS

KA-3500

102 BHP Triplex Plunger Pump

Continuous Duty



KA-3500RH

SPECIFICATIONS

Configuration	Horizontal Triplex Plunger
Number of Plungers	3
Stroke Length	5" / 127 mm
Frame Load Rating	6,930 lbs
Fluid Cylinder Pressure Rating	2,160 PSI
Pump Weight (Avg.)	1,900 lbs / 864 kilos
Kerr Max Speed	350 RPM
API-674 Max Speed	310 RPM
Minimum Speed	100 RPM
Mechanical Efficiency (Bare Shaft)	90%
Lube System (Standard)	Splash - Gravity Feed
Lube System (Optional)	Force Feed
Lube Oil Capacity	24 quarts / 22.75 liters
Lube Oil Type	Petroleum per AGMA 5EP (ISO 220) or Synthetic per SAE 75W-90 (ISO 100)
Connection Sizes	4" NPT Suction 3" NPT Discharge

FLUID END

Cast Ductile Iron (65-45-12)
Cast Carbon Steel (WCB)
Cast Nickel Aluminium Bronze (955)
Cast Stainless Steel CF8M (316)
Cast Duplex SS CD3MN (2205)
Forged Carbon Steel (A105)
Forged Stainless Steel (316)

VALVES

DISC TYPE / SEAT (MAX. 2,160 PSI)	WING GUIDED
Delrin Disc / SS (316)	Ni-Al-Brz (955) / Metal-to-Metal
Delrin / Ni-Al-Brz (955)	Monel / Metal-to-Metal
Delrin / Duplex SS (CD4MCU)	SS (316) / Metal-to-Metal
SS (316) / SS (316)	17-4 HT Metal-to-Metal
Titanium / SS (316)	SS (316) / AR Urethane Inserted
PEEK / SS (316)	17-4 HT / AR Urethane Inserted

PLUNGERS

Colmonoy 730 Hard Coat
Solid Ceramic (2,160 Max. PSI)
Kerramic (Ceramic) Coated
Solid 316 Stainless Steel

* Consult Factory for Authorized Drawings for Dimensions

1) Displacement is based on 100% Volumetric Efficiency (VE)

2) Consult factory for operating speeds above maximum shown

3) 1 US gallon = 3.78541 liters

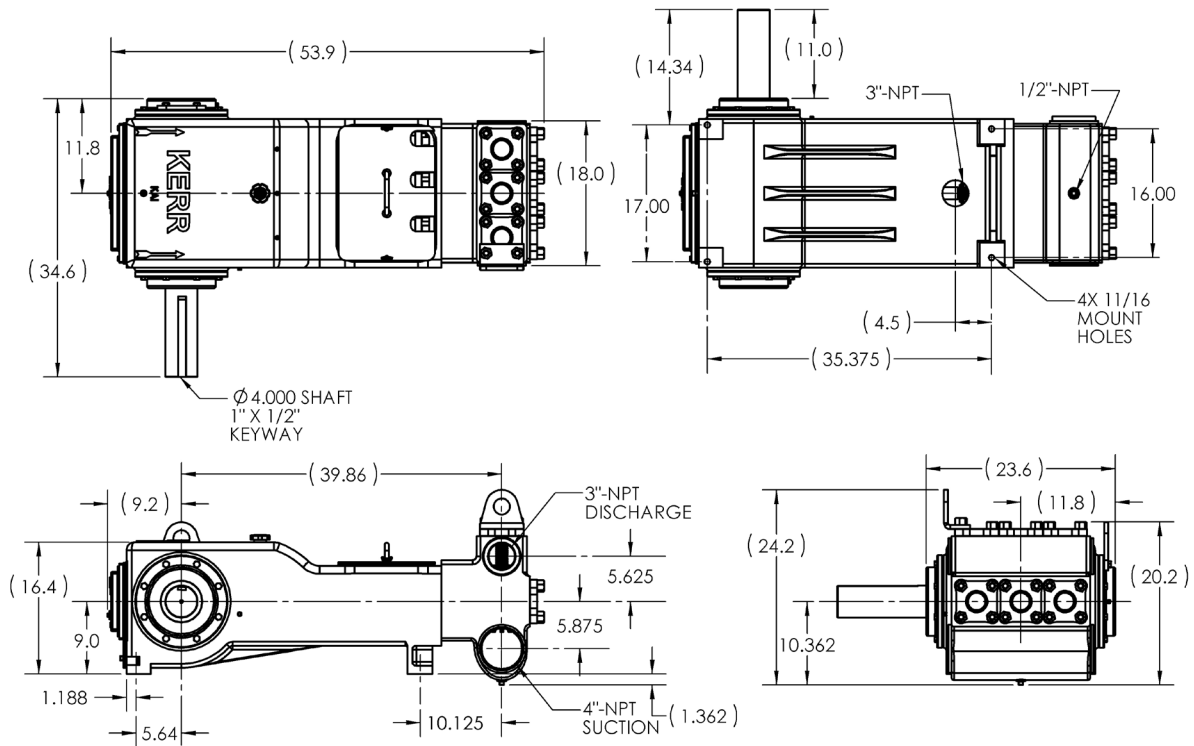
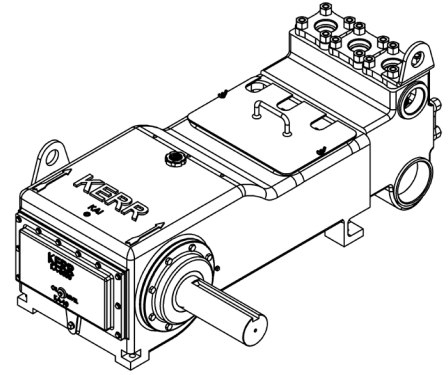
KERR

PUMPS

KA-3500

102 BHP Triplex Plunger Pump

Continuous Duty



GENERAL DIMENSIONS FOR KA-3500 RH

PLGR DIA. INCHES	MAX PRESS PSI	DISP GAL PER REV	DISPLACEMENT																	
			100 RPM		150 RPM		200 RPM		225 RPM		250 RPM		275 RPM		310 RPM		325 RPM		350 RPM	
			GPM	BPD	GPM	BPD	GPM	BPD	GPM	BPD	GPM	BPD	GPM	BPD	GPM	BPD	GPM	BPD	GPM	BPD
2.250	1743	0.2582	25.8	886	38.7	1328	51.6	1771	58.1	1993	64.5	2214	71.0	2435	80.0	2745	83.9	2878	90	3100
2.500	1412	0.3187	31.9	1093	47.8	1640	63.7	2187	71.7	2460	79.7	2733	87.7	3007	98.8	3389	103.6	3553	112	3827
2.750	1167	0.3857	38.6	1323	57.9	1984	77.1	2646	86.8	2977	96	3307	106	3638	120	4101	125	4299	135	4630
3.000	980	0.4590	45.9	1574	68.8	2362	91.8	3149	103	3542	115	3936	126	4330	142	4881	149	5117	161	5510
3.250	835	0.5387	53.9	1848	80.8	2772	108	3695	121	4157	135	4619	148	5081	167	5728	175	6005	189	6467
3.500	720	0.6247	62.5	2143	93.7	3214	125	4286	141	4821	156	5357	172	5893	194	6643	203	6964	N/A	N/A

* Consult Factory for Authorized Drawings for Dimensions

1) Displacement is based on 100% Volumetric Efficiency (VE)

2) Consult factory for operating speeds above maximum shown

3) 1 US gallon = 3.78541 liters