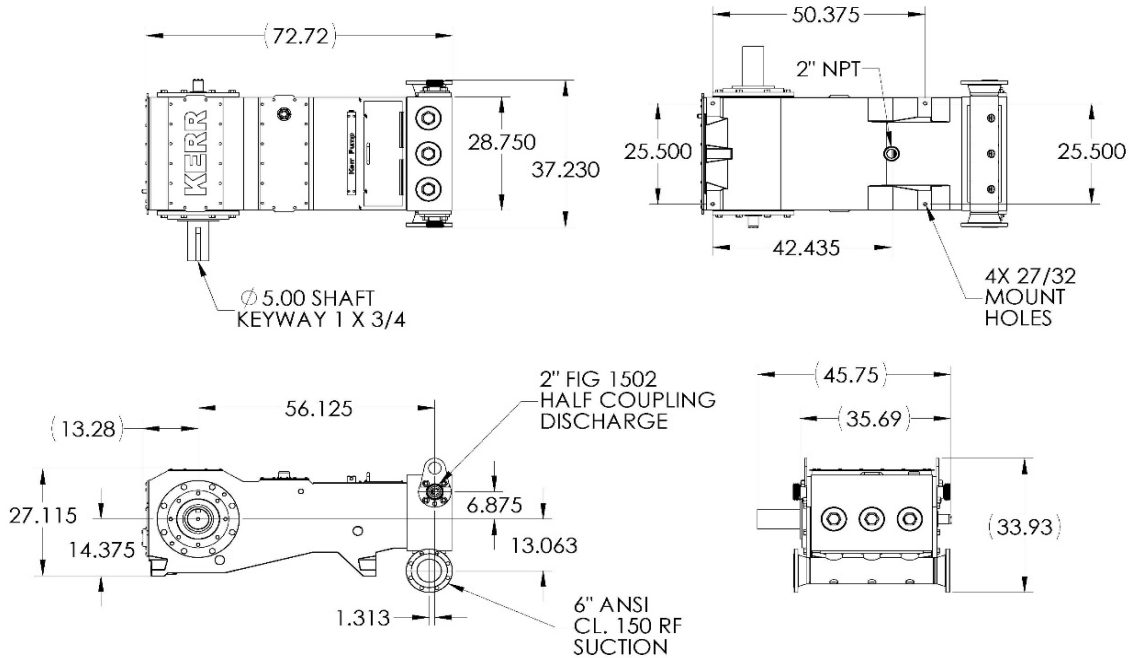


KERR PUMPS

T60WS

Well Service Duty
Forged Alloy Steel Crankshaft



* ~ General Dimensions Only - Consult Factory for Authorized Dwgs ~ Alternate Connections Available

POWER END SPECIFICATIONS

Stroke = 6.000" / 152.4 mm
 Rated Power at 375 RPM = 600 BHP / 448 KW
 Shaft Rotation = Top of input shaft towards Fluid End
 Shipping Weight = 5400 lbs / 2449 kilos
 Crankcase Material = Cast Ductile Iron
 Note: Pump Mounted Gear Reduction or Chain Drive Available - 4.61:1 Gear Reduction

Maximum Speed = 375 RPM
 Minimum Speed = 10 RPM w/ Forced Power End Lube System
 Number of Plungers/Pistons = 3
 Oil Capacity = 25 gallons / 94.6 liters
 Oil Type = Petroleum per AGMA 5EP (ISO 220) or Synthetic per SAE 75W-90 (ISO 100)

T60WS TRIPLEX PLUNGER / PISTON PUMP

		Plunger Only			Plunger Only			Plunger & Piston			Plunger & Piston			Plunger & Piston		
Diameter ~ inch		2.750			3.000			3.500			4.000			4.500		
Gal / Min per RPM		0.4628			0.5508			0.7497			0.9792			1.2393		
Bbl / Min per RPM		0.0110			0.0131			0.0178			0.0233			0.0295		
RPM	BHP Req'd	PSI	GPM	BPM	PSI	GPM	BPM	PSI	GPM	BPM	PSI	GPM	BPM	PSI	GPM	BPM
375	600	5037	174	4.1	4232	207	4.9	3109	281	6.7	2381	367	8.7	1881	465	11.1
350	600	5396	162	3.9	4534	193	4.6	3331	262	6.2	2551	343	8.2	2015	434	10.3
300	600	6296	139	3.3	5290	165	3.9	3887	225	5.4	2976	294	7.0	2351	372	8.9
250	600	7555	116	2.8	6348	138	3.3	4664	187	4.5	3571	245	5.8	2821	310	7.4
225	600	8394	104	2.5	7054	124	3.0	5182	169	4.0	3968	220	5.2	3135	279	6.6
150	600	12000	69	1.7	10580	83	2.0	7773	112	2.7	5951	147	3.5	4702	186	4.4
100	600	12000	46.3	1.1	12000	55	1.3	10000	75	1.8	6750	98	2.3	5333	124	3.0
50	453	12000	23.1	0.6	12000	27.5	0.7	10000	37.5	0.9	6750	49	1.2	5333	62	1.5
40	340	12000	18.5	0.4	12000	22.0	0.5	10000	30.0	0.7	6750	39.2	0.9	5333	49.6	1.2
10	227	12000	4.6	0.1	12000	5.5	0.1	10000	7.5	0.2	6750	9.8	0.2	5333	12.4	0.3

1 ~ Displacement is based on 100% Volumetric Efficiency (VE)
 2 ~ BHP / KW is based on 85% Mechanical Efficiency (ME)

3 ~ Max. Recommended Speed with 4-1/2 Piston is 225 RPM